

INSTALLATION INSTRUCTIONS

No. 771-D SERIES SLIDING DOOR HARDWARE SETS

FOR 3/4" TO 1-3/8" THICK BY-PASSING DOORS
WEIGHING UP TO 50 POUNDS

- FINISHED OPENING SHOULD BE 1 3/4" HIGHER THAN HEIGHT OF DOOR (THIS ALLOWS MAXIMUM 1/2" FLOOR CLEARANCE) AND 1" NARROWER THAN TOTAL WIDTH OF 2 DOORS (FOR DOOR OVERLAP).
SEE INSTALLATION GUIDE BELOW.

- INSTALL RAIL USING LONG (1 1/4" x 7 ROUND HEAD) SCREWS LOCATING RAIL AS SHOWN AT RIGHT. (SEE FIG. A) CUT OFF RAIL TO FIT OPENING IF NECESSARY.

- CHOOSE HANGERS FOR DOOR THICKNESS AS SHOWN IN FIG. A.

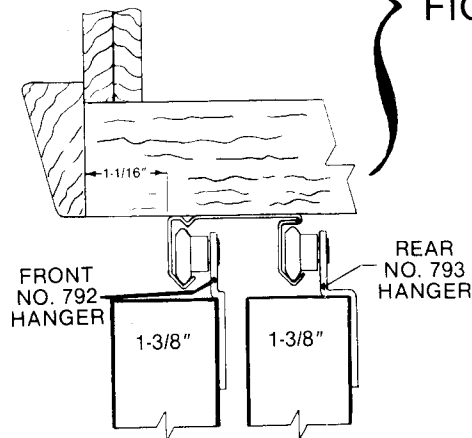
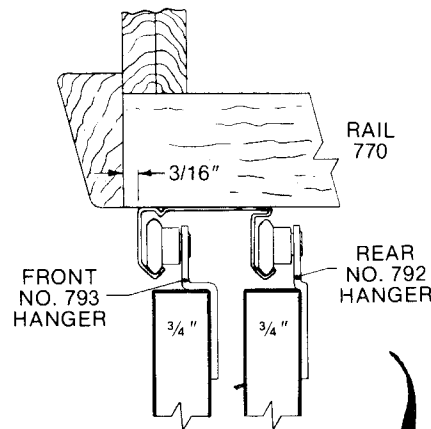


FIG. A

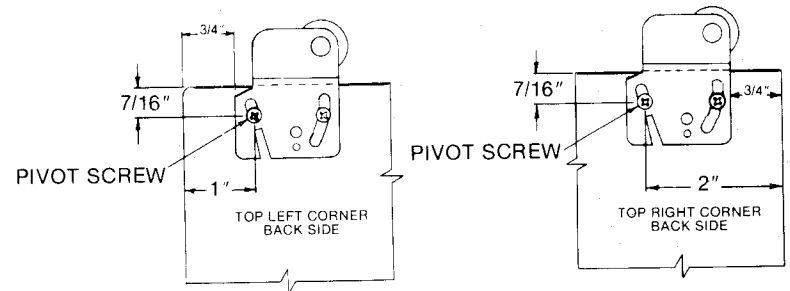
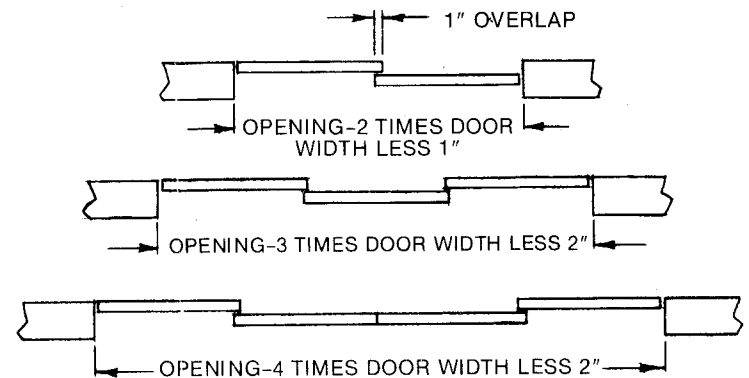


FIG. B

- MARK LINE 7/16" FROM TOP OF DOOR. PLACE HANGERS ON TOP OF DOOR 3/4" FROM EDGE. SPOT SCREW HOLES IN CENTER OF SLOT PER ILLUSTRATION BELOW. DRILL PILOT HOLES AND MOUNT HANGERS AS SHOWN IN FIG. B.

INSTALLATION GUIDE



5. LIFT DOORS AND PLACE WHEELS IN TRACK BY TILTING DOORS AS SHOWN IN FIG. C. MOUNT REAR DOOR FIRST.

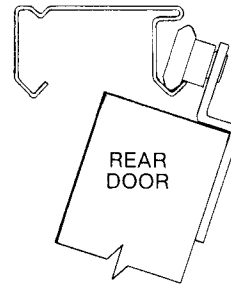


FIG. C

6. ADJUST HANGERS TO PROVIDE PROPER DOOR CLEARANCE AT BOTTOM AND ALIGNMENT WITH JAMB. TIGHTEN SCREWS. SEE FIG. D.

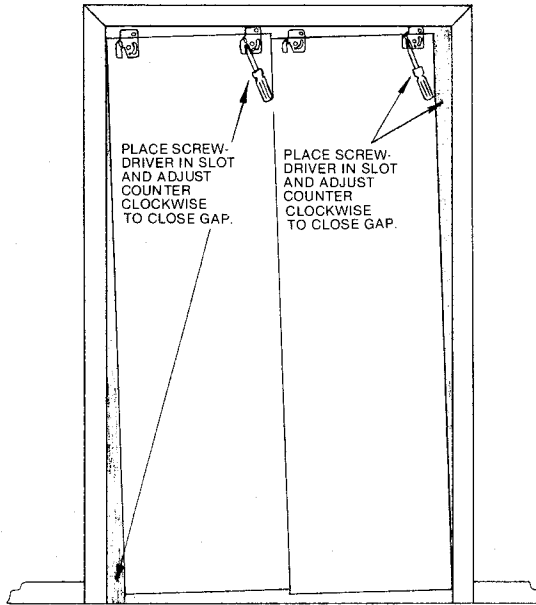


FIG. D

7. INSTALL DOOR GUIDE (NO. 192) MOUNT CENTER SECTION FIRST, THEN MOUNT SIDE SECTIONS. USE CARDBOARD SHIM TO ASSURE PROPER SPACING OF SIDE SECTIONS. USE 3/4" x 7 SCREWS. NOTE FIG. E.

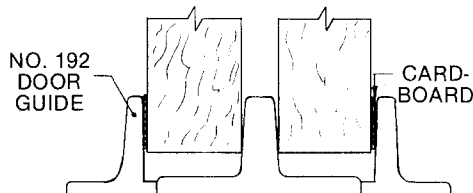


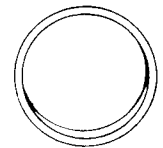
FIG. E

NOTE: NO. 771-D-96 SET FOR 8' OPENING CONTAINS NECESSARY HARDWARE FOR 3 DOORS. FOR 8' OPENING USING 4 DOORS ORDER ADDITIONAL ONE PAIR 3/8" OFFSET HANGERS (NO. 793 HANGER) AVAILABLE FROM YOUR DEALER.

**Optional Accessories
Available From Your Dealer**
(Not Packed With Sets)



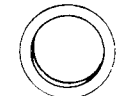
NO. 141
FLUSH
PULL



NO. 144
CUP PULL
Designed for
1-3/4" hole



NO. 188 BUMPER



NO. 142
CUP PULL
Bore 3/4" hole



NATIONAL MANUFACTURING CO.
STERLING, ILLINOIS 61081