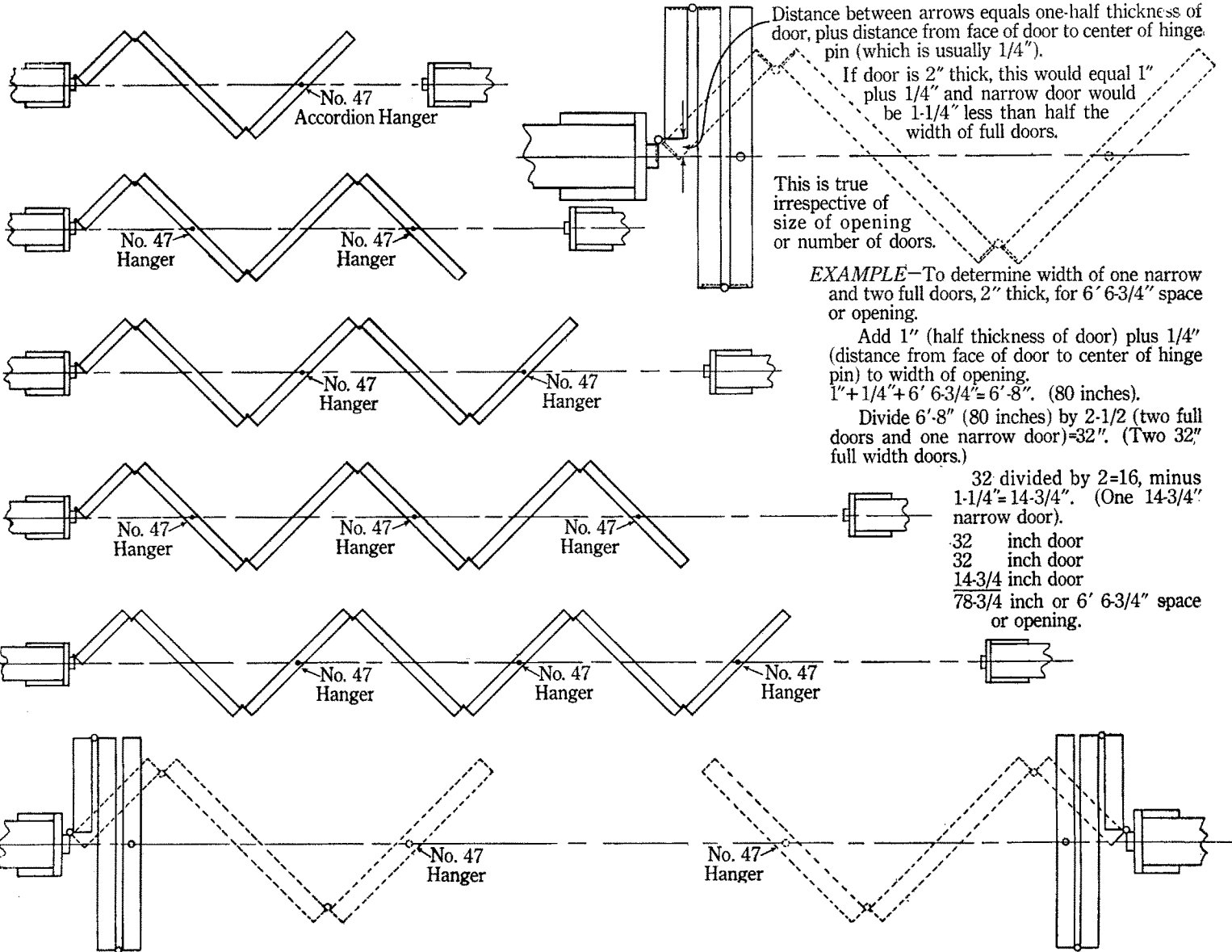


No. 47 Accordion Door Hanger



Distance between arrows equals one-half thickness of door, plus distance from face of door to center of hinge pin (which is usually 1/4").

If door is 2" thick, this would equal 1" plus 1/4" and narrow door would be 1-1/4" less than half the width of full doors.

This is true irrespective of size of opening or number of doors.

EXAMPLE—To determine width of one narrow and two full doors, 2" thick, for 6' 6-3/4" space or opening.

Add 1" (half thickness of door) plus 1/4" (distance from face of door to center of hinge pin) to width of opening.
 $1" + 1/4" + 6' 6-3/4" = 6' 8"$. (80 inches).

Divide 6' 8" (80 inches) by 2-1/2 (two full doors and one narrow door) = 32". (Two 32" full width doors.)

32 divided by 2 = 16, minus 1-1/4" = 14-3/4". (One 14-3/4" narrow door).

32 inch door
 32 inch door
 14-3/4 inch door
 78-3/4 inch or 6' 6-3/4" space or opening.

To determine width of two narrow and four full doors for 13' 1-1/2" (157-1/2") space or opening.

Add 1" (half thickness of door) plus 1/4" distance from face of door to center of hinge pin = 1-1/4 times 2 (on account of two narrow doors) = 2-1/2" to width of opening = 2-1/2 + 157-1/2 = 160".

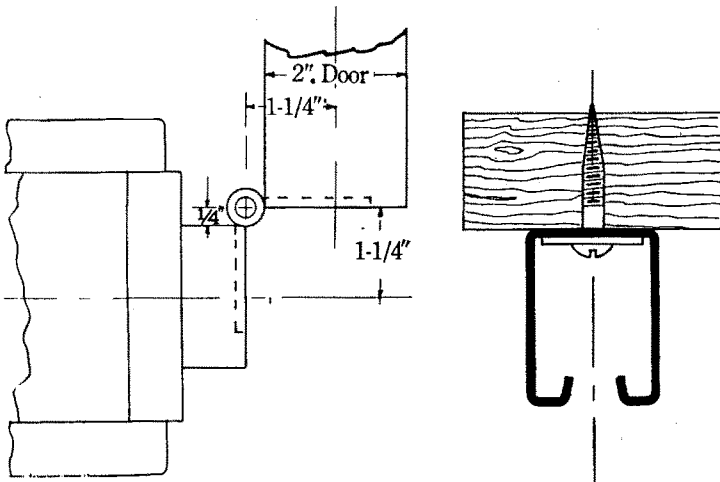
Divide 160" by four full width doors plus two narrow doors (for convenience of estimating we consider two narrow doors as one full door) or five full doors.

$$\begin{array}{r} 5 \overline{)160} 32 \\ \underline{15} \\ 10 \end{array}$$

Four 32" full width doors

32 divided by 2 = 16 minus 1-1/4" = 14-3/4".
 Two 14-3/4" narrow doors.

Four 32" doors $\left\{ \begin{array}{l} 32 \\ 32 \\ 32 \\ 32 \end{array} \right.$
 Two 14-3/4" doors $\left\{ \begin{array}{l} 14-3/4 \\ 14-3/4 \end{array} \right.$
 157-1/2" space or opening



NATIONAL MANUFACTURING COMPANY
 STERLING, ILLINOIS