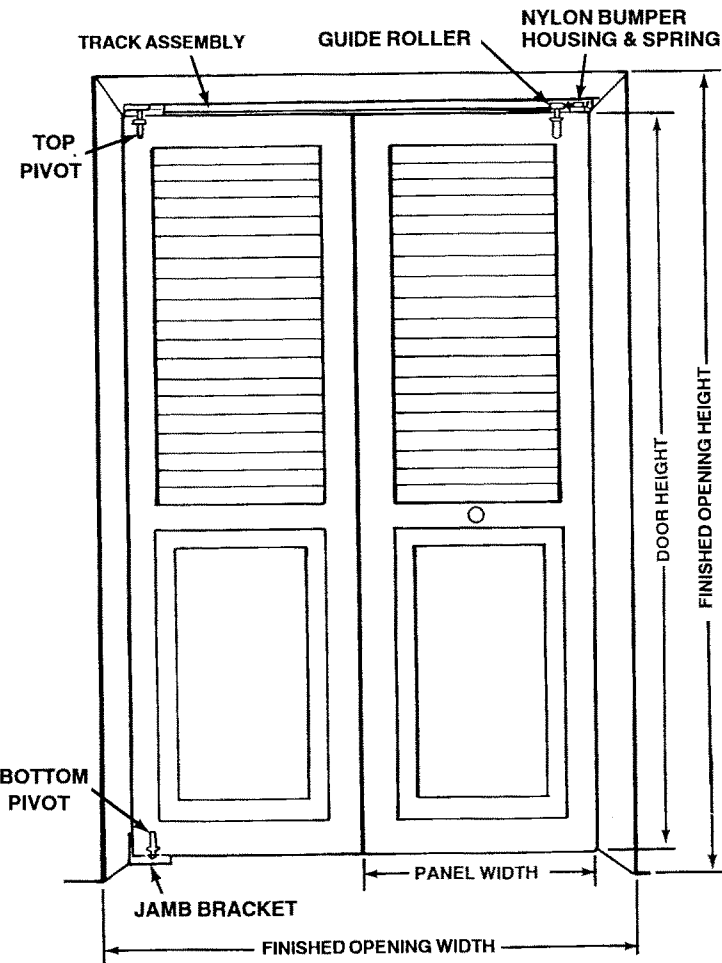
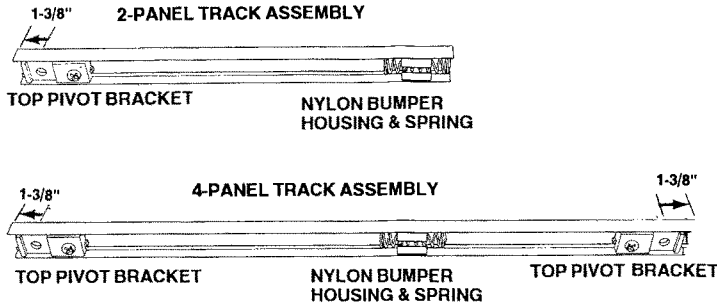


STEP 1:
Prepare finished door opening per chart.

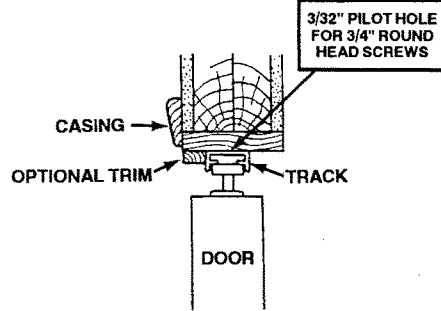
	390S (2-Panel) Door Thickness 7/8" to 1-3/8"			390D (4-Panel) Door Thickness 7/8" to 1-3/8"		
	Width of Each Panel	11-3/4"	14-3/4"	17-3/4"	11-3/4"	14-3/4"
Finished Opening Width	2'0"	2'6"	3'0"	4'0"	5'0"	6'0"
Finished Opening Height	Door Height Plus 1-5/8" Plus Carpet					



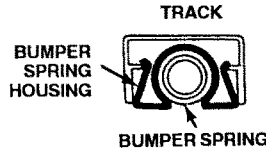
STEP 4:
If needed, cut track to 1/8" less than finished opening.



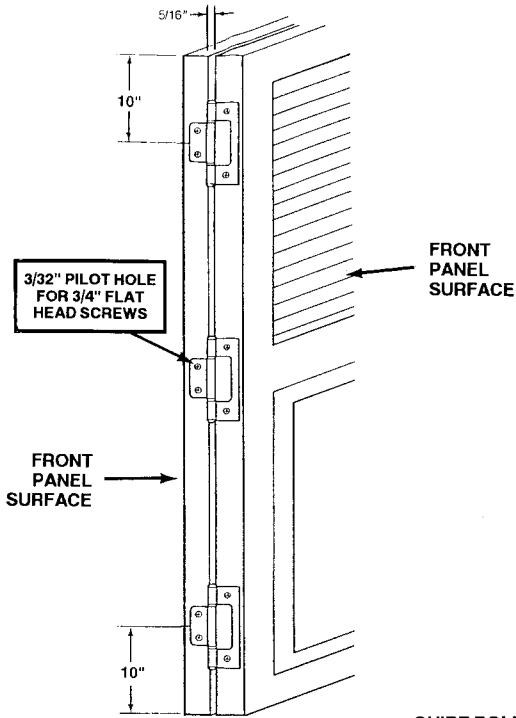
STEP 5:
Mount track so face of door is flush with or slightly recessed from opening face.



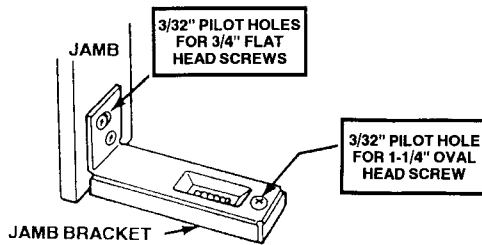
Press bumper spring into nylon spring housing and push into track.



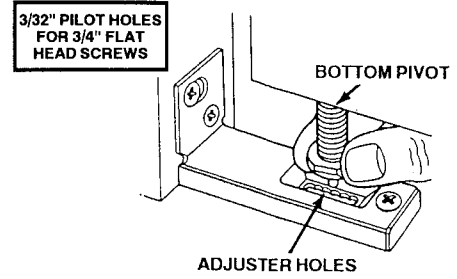
STEP 2:
Install hinges on edge of panels, centering third hinge.



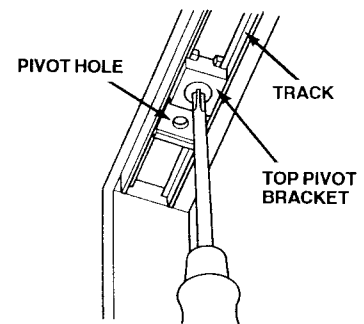
STEP 6:
Install jamb bracket so center line of bracket is aligned with center line of track. Bracket must rest firmly on the floor, or on wood block if additional clearance is required for carpeting.



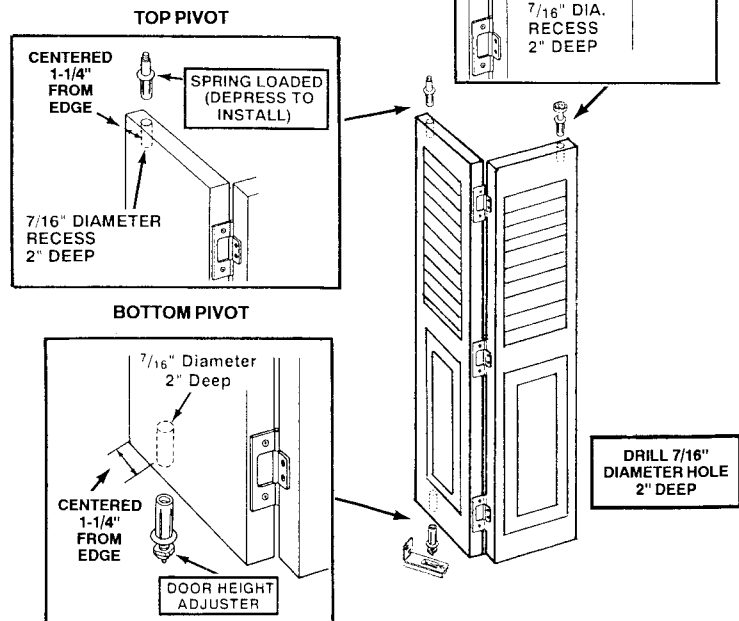
STEP 8:
VERTICAL ADJUSTMENT
Lift door and adjust bottom pivot until top clearance with track is minimal. Select adjuster hole to provide proper clearance on jamb.



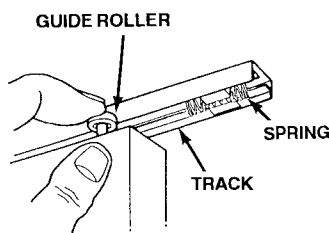
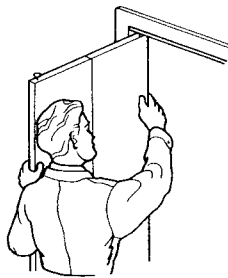
HORIZONTAL ADJUSTMENT
To move top pivot, remove panel(s), loosen screw and adjust as needed.



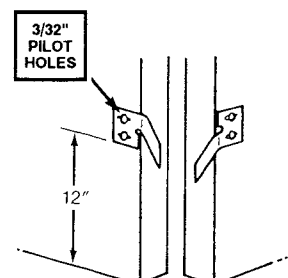
STEP 3:
Drill 7/16" diameter holes, 2" deep, as shown. Install top pivot(s), guide roller(s) and bottom pivot(s).



STEP 7:
Guide top pivot into top pivot bracket hole of track assembly. Lift door and place bottom pivot into jamb bracket. Depress guide roller and insert into track.



STEP 9:
FOR 390D (4-PANEL) ONLY: Install aligners on rear of door using pan head screws. Adjust in or out until doors are aligned with each other. Tighten screws.



FOLDING DOOR Hardware Set

INSTALLATION INSTRUCTIONS



©1993 NATIONAL MANUFACTURING CO.
Sterling, IL 61081
Made in the U.S.A.

390S and 390D FOLDING DOOR HARDWARE: For doors 7/8" to 1-3/8" thick weighing up to 30 pounds per panel.