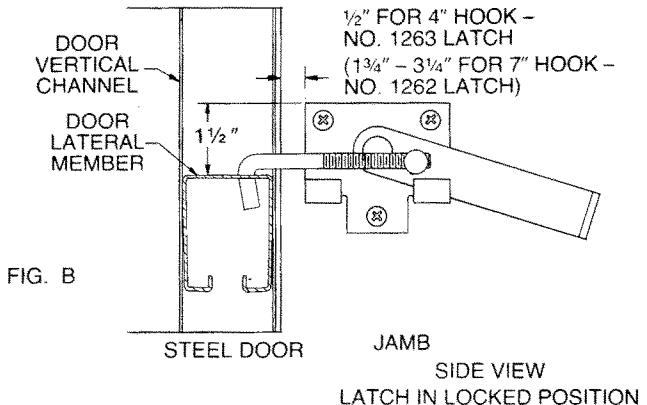
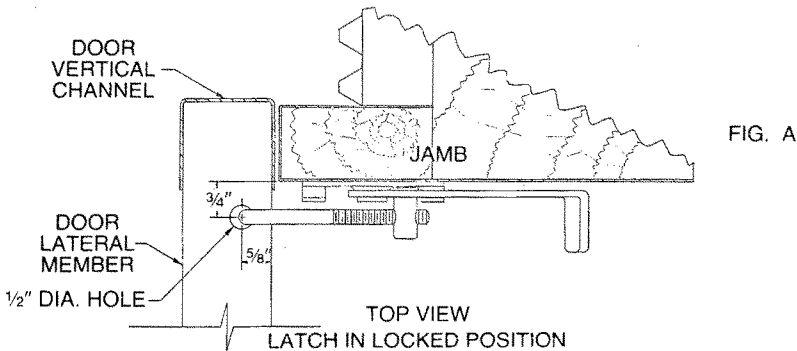


**INSTALLATION INSTRUCTIONS**  
**NO. 1263 JAMB LATCH – 4" HOOK**  
**NO. 1262 JAMB LATCH – 7" HOOK**

Designed for use with  
 Single or Bi-Parting Sliding Steel Doors

1. Before installing latch, make all door adjustments and close doors fully against the stop.
2. Drill  $\frac{1}{2}$ " hole through steel door lateral at location shown in Fig. A.
3. Thread hook into swivel pin.
4. Mount latch onto jamb in position shown in Fig. B using (3)  $1\frac{1}{4}$ " x #10 flat head screws.
5. Adjust hook so that when handle is in locking position door is pulled tightly against jamb.
6. On the No. 1263 Latch with 4" hook, handle may be used as a stop with door in fully open position. (Simply flip handle approximately  $180^\circ$  in opposite direction.)



**NATIONAL MANUFACTURING COMPANY**  
 STERLING, ILLINOIS 61081